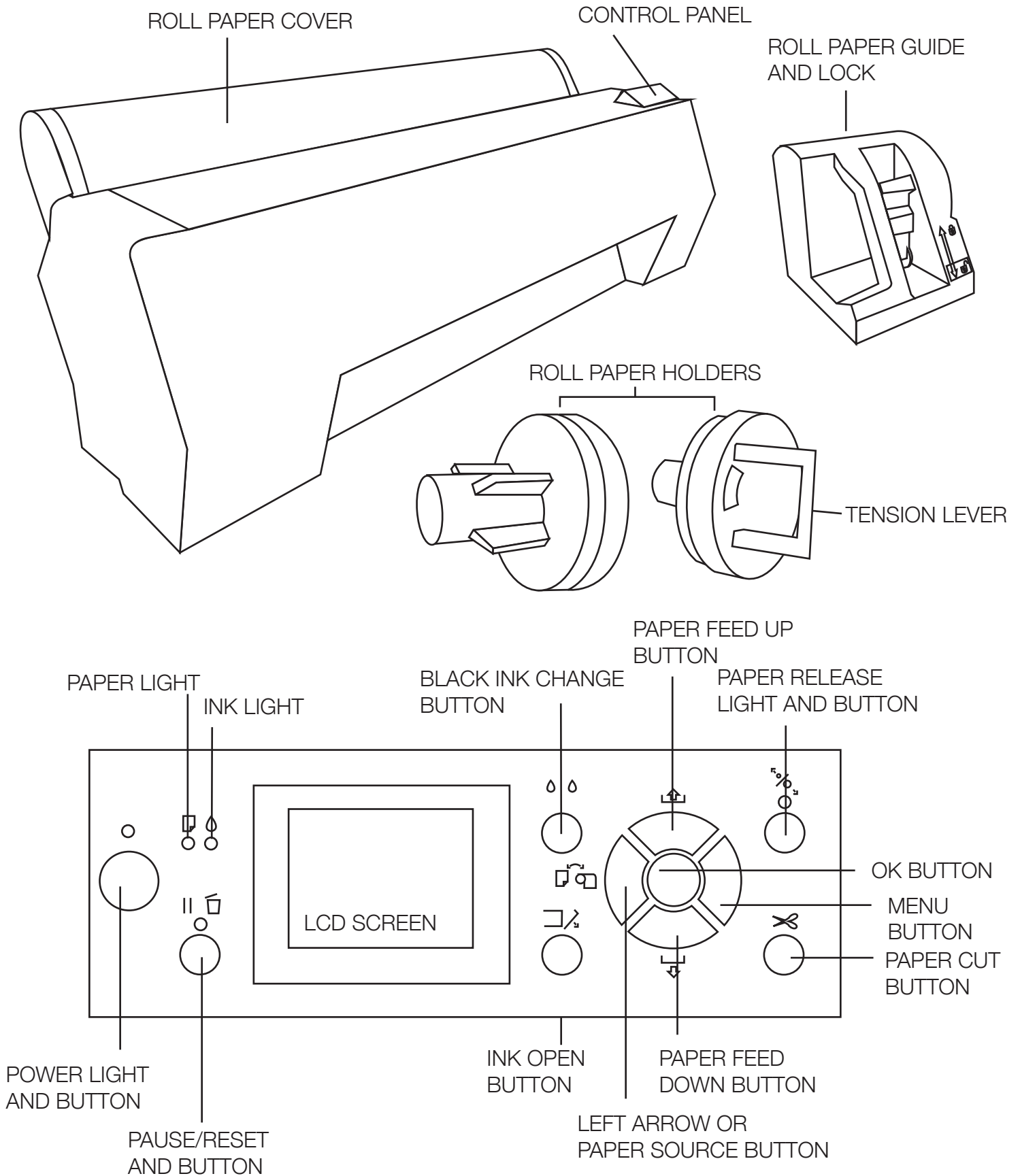


EPSON

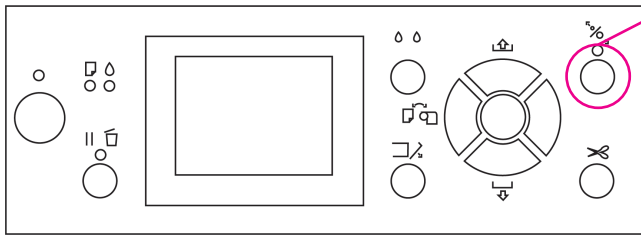
989 ☺

EPSON STYLUS PRO 9890

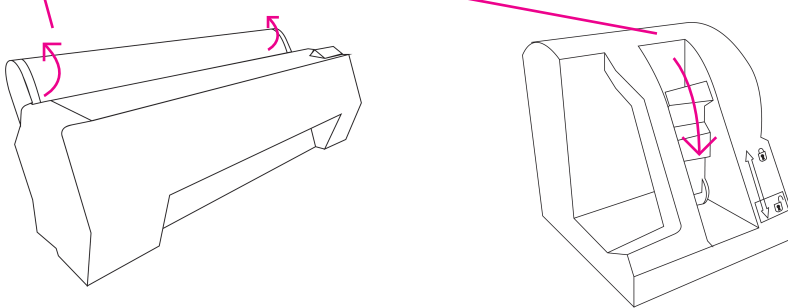


LOADING MEDIA

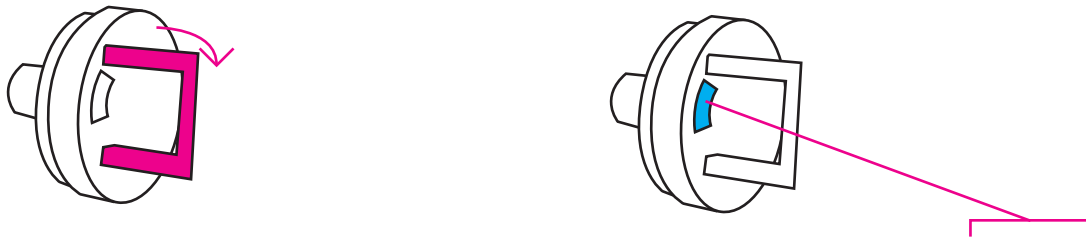
If there is paper already loaded into the printer, press  to lift the platen and release the roll.



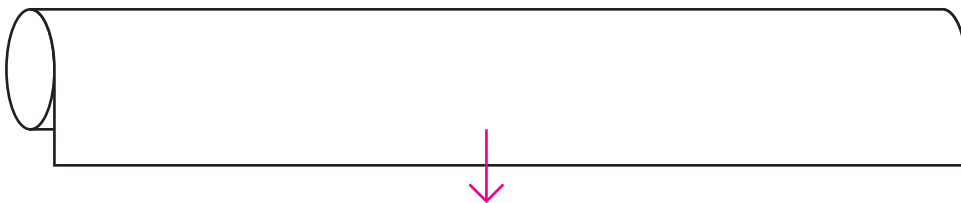
Lift roll paper cover and flip down lock on to the left of the roll paper guide.



Slide carriage left and remove roll.
Unlock roll paper holders by lifting the tension levers.



Adjust roll paper holders to match size of the new media by moving the blue tab to 2" or 3".
Place roll paper holders into each side of the media. Media should be oriented with the flap coming over the top to the front.



LOADING MEDIA CONT.

Make sure there are no gaps between the roll paper holders and the media.

Lock roll paper holds by flipping down the tension lever.

Place media and roll paper holders onto the rightmost roll paper guide.

Slide left roll paper guide into the left roll paper holder.

Make sure there are no gaps between the roll paper holders and the guides.

Flip the lock to the left of the roll paper holder to secure paper.

Insert paper into slot and feed down. Paper should be hanging out of the bottom of the machine.

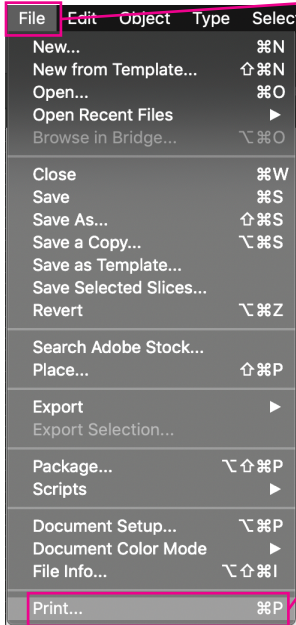
Press the  button

Once it is done adjusting, check to make sure media settings on Epson match your media.

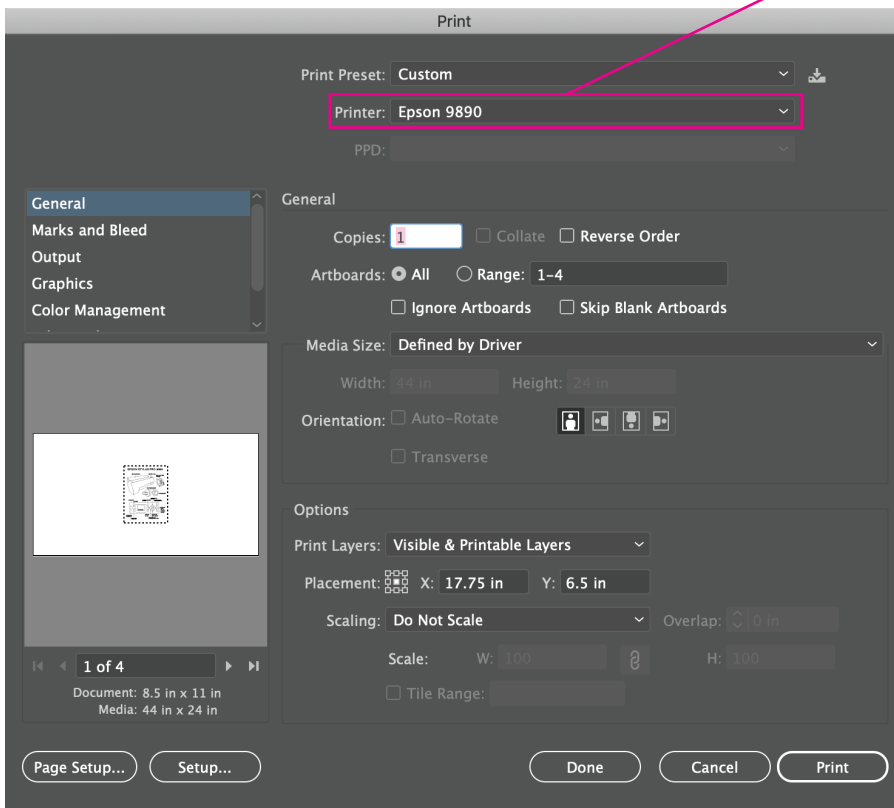
If you receive any error messages, check to make sure that there are no gaps between the media and the roll paper holders and that there are no gaps between the roll paper holders and the guides.

P R I N T I N G

When your file is ready to print, go to File and then Print.



The print dialog will appear. Under the Printer tab, select Epson 9890.

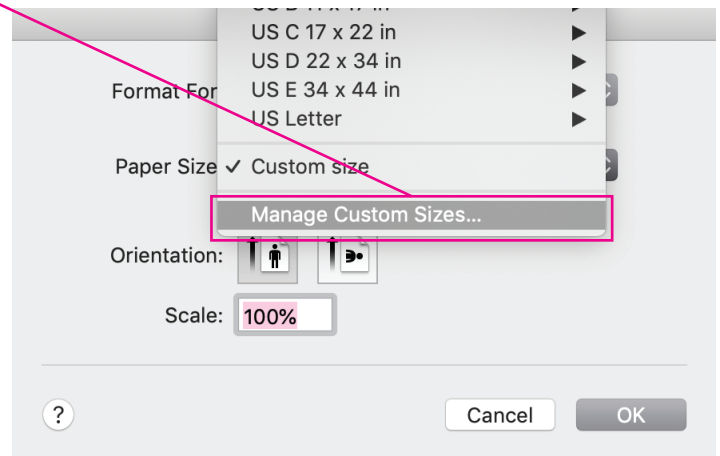
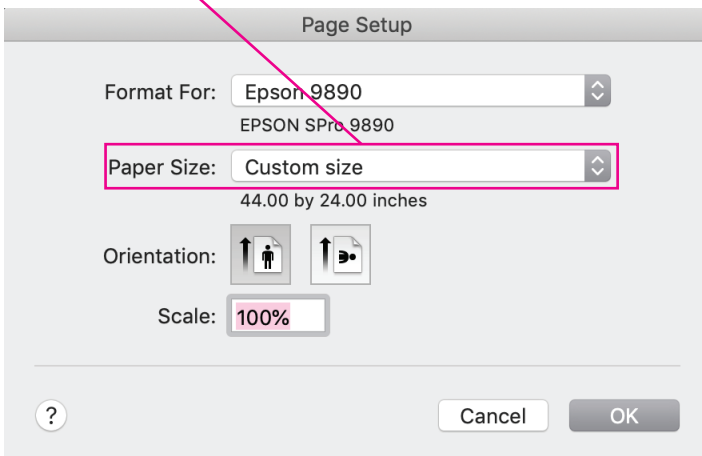


PRINTING CONT.

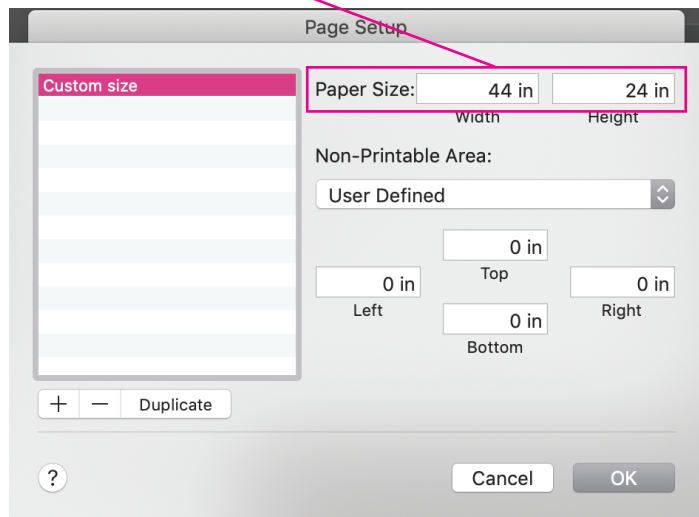
Select Page Setup.



Select Paper Size and then select Manage Custom Sizes.



Input the size of your media and press OK. Width is the size of the media and Height is the height of your file.

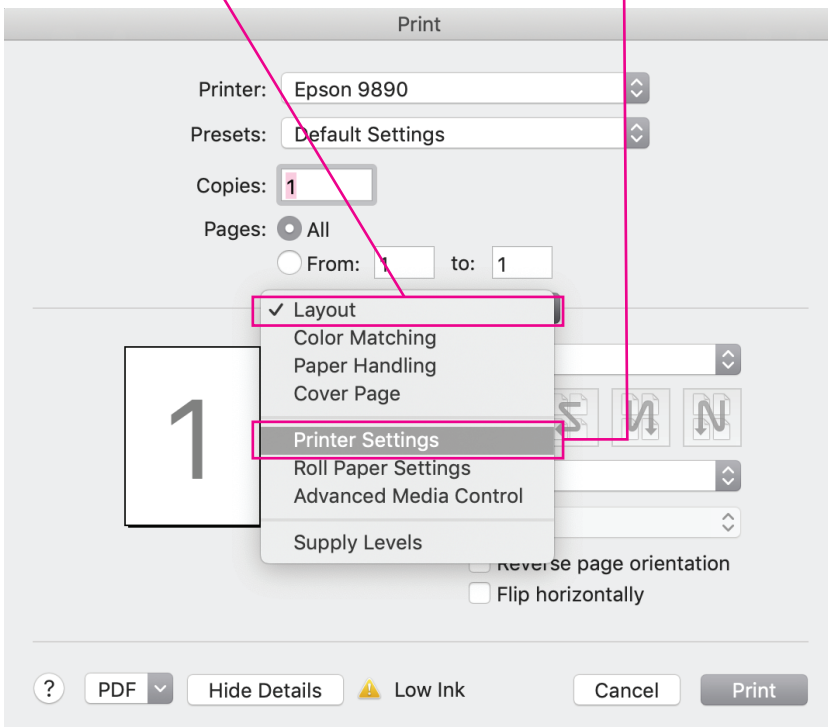


P R I N T I N G C O N T .

Select Setup.



Select the Layout tab and then select Printer Settings.



Printer Settings allows you to change media type, black ink output, and other variables. It's important to get these settings correct as they will override the settings on the Epson 9890.

P R I N T I N G C O N T .

Page Setup

- adjusts the format of the paper: roll, sheet, etc.

Media Type

- adjusts the kind of media you are using: paper, fabric, etc. Changing media type will change the kind of black ink that the printer uses. Make sure you have the correct kind selected under Ink.

Print mode

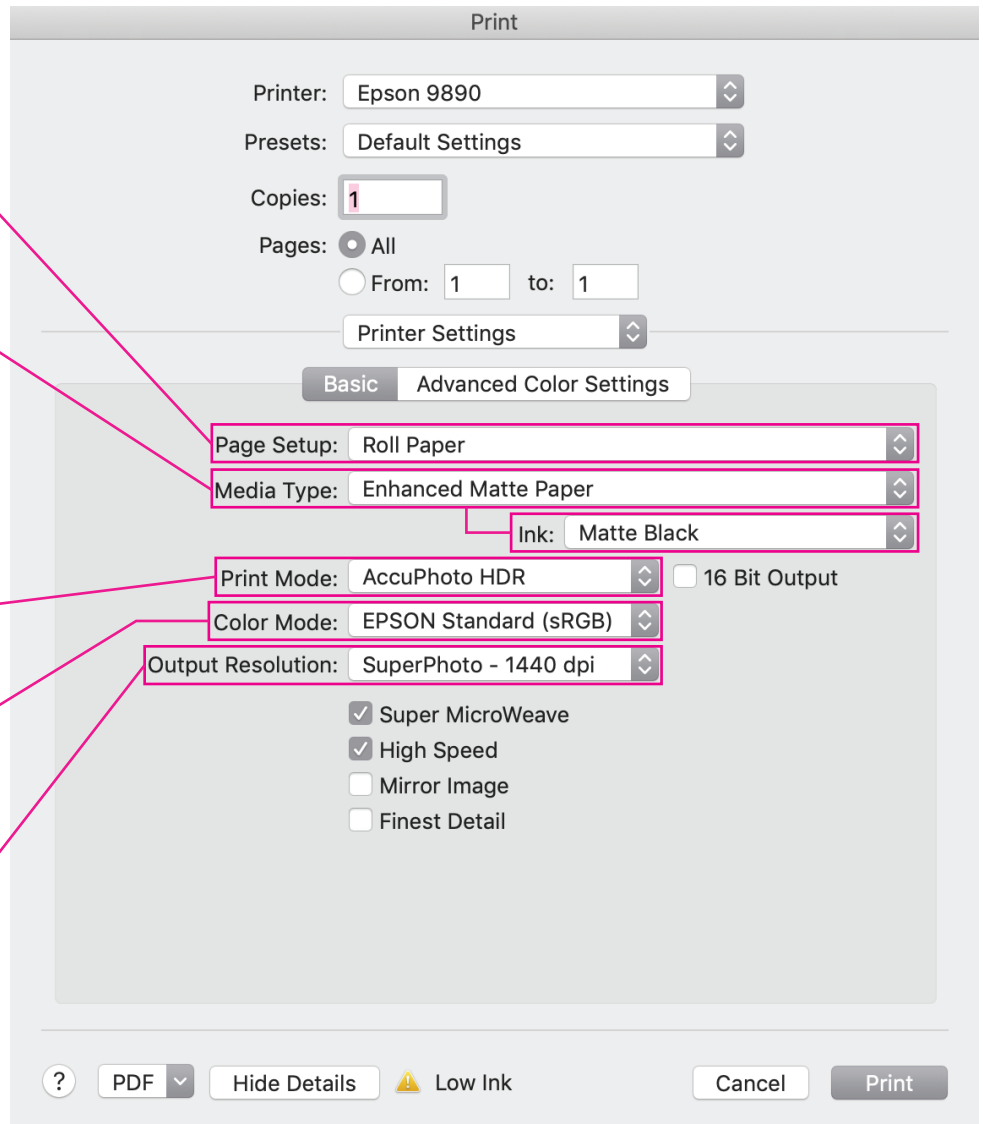
- adjusts color, b/w, and black for non-photographic images.

Color mode

- adjusts color and allows one to choose how to manage the colors.

Output resolution

- adjusts the quality of the print through dpi (dots per inch). Higher the number, the higher the quality.



When all of your settings are correct, press print.

This will reopen the original print dialog.

Check that the file is being sent to the Epson 9890 and that the media size is correct, the press print.

It is important to note that one can change between Matte Black and Photo Black. Doing this requires the Epson 9890 to flush out ink of the various parts in the machine. This consumes a fair amount of ink.